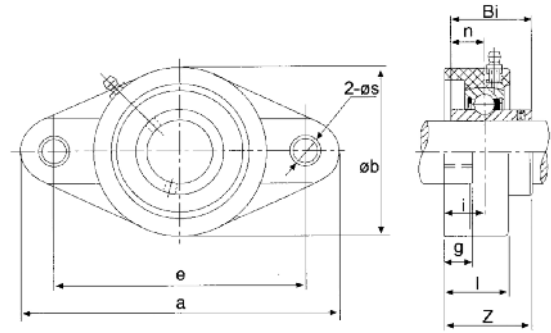


THERMOPLASTIC UNITS

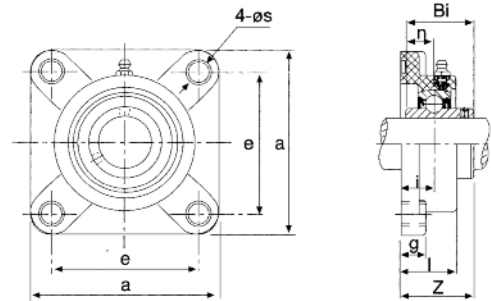
UCFLPL TWO BOLT FLANGE UNITS · UCFPL FOUR BOLT FLANGE UNITS



- Reinforced PBT housing – solid base
- Stainless steel wide inner ring bearing



UCFLPL



UCFPL

UCFLPL TWO BOLT FLANGE UNITS

Unit No.	Shaft Dia. d (in.)	Dimension (in) (mm)										Bolt Size (in)	Bearing No.	Housing No.	Weight (lb)
		a	e	b	g	l	s	z	l	Bi	n				
UCFLPL204-12SS	3/4	4-15/32 113	3-17/32 90	2-9/16 65	7/16 11.4	1-1/16 26.5	7/16 11	1-5/16 33.7	5/8 15.4	1-7/32 31	1/2 12.7	3/8	SSUC204-12	TP-FL204	0.528
UCFLPL205-16SS	1	5-3/16 131	3-29/32 99	2-3/4 69.5	17/32 13.5	1-5/32 29.1	7/16 11	1-7/16 36.7	11/16 17	1-11/32 34.1	9/16 14.3	3/8	SSUC205-16	TP-FL205	0.66
UCFLPL206-18SS UCFLPL206-19SS UCFLPL206-20SS	1-1/8 1-3/16 1-1/4	5-27/32 148	4-5/8 117	3-5/32 80	17/32 13.3	1-7/32 30.5	7/16 11	1-5/8 41.2	3/4 19	1-1/2 38.1	5/8 15.9	3/8	SSUC206-18 SSUC206-19 SSUC206-20	TP-FL206	0.99
UCFLPL207-20SS UCFLPL207-22SS UCFLPL207-23SS	1-1/4 1-3/8 1-7/16	6-15/32 164	5-1/8 130	3-9/16 90	5/8 16.1	1-9/32 32.8	17/32 13	1-23/32 43.4	23/32 18	1-11/16 42.9	11/16 17.5	1/2	SSUC207-20 SSUC207-22 SSUC207-23	TP-FL207	1.45
UCFLPL208-24SS	1-1/2	6-15/16 176	5-11/16 144	3-15/16 100	25/32 20	1-15/32 37.5	9/16 14	2-1/32 51.7	27/32 21.5	1-15/16 49.2	3/4 19	1/2	SSUC208-24	TP-FL208	1.51

* Lubricated with food grade grease.

UCFPL FOUR BOLT FLANGE UNITS

Unit No.	Shaft Dia. d (in.)	Dimension (in) (mm)										Bolt Size (in)	Bearing No.	Housing No.	Weight (lb)
		a	e	g	l	s	z	l	Bi	n					
UCFPL204-12SS	3/4	3-15/32 88	2-1/2 63.5	17/32 13.4	1-3/32 27.8	7/16 11	1-7/16 36.3	23/32 18	1-7/32 31	1/2 12.7	3/8	SSUC204-12	TP-F204	0.638	
UCFPL205-16SS	1	3-3/4 95	2-25/32 70	9/16 14	1-3/32 28	7/16 11	1-7/16 36.7	11/16 17	1-11/32 34.1	9/16 14.3	3/8	SSUC205-16	TP-F205	0.748	
UCFPL206-18SS UCFPL206-19SS UCFPL206-20SS	1-1/8 1-3/16 1-1/4	4-7/32 107	3-9/32 83	9/16 14.3	1-1/4 31.5	7/16 11	1-5/8 41.4	3/4 19.2	1-1/2 38.1	5/8 15.9	3/8	SSUC206-18 SSUC206-19 SSUC206-20	TP-F206	1.10	
UCFPL207-20SS UCFPL207-22SS UCFPL207-23SS	1-1/4 1-3/8 1-7/16	4-21/32 118	3-5/8 92	19/32 15.5	1-3/8 34.8	17/32 13	1-27/32 46.9	27/32 21.5	1-11/16 42.9	11/16 17.5	1/2	SSUC207-20 SSUC207-22 SSUC207-23	TP-F207	1.62	
UCFPL208-24SS	1-1/2	5-1/8 130	4-1/32 102	21/32 17	1-15/32 37.5	9/16 14	2-3/32 53.2	29/32 23	1-15/16 49.2	3/4 19	1/2	SSUC208-24	TP-F208	1.68	

* Lubricated with food grade grease. UCFB three-bolt flange bracket units also available.

